

BUNKER/CHECKPOINT PORTABLE - ASSEMBLY INSTRUCTIONS

1. Unpack assembly and lay out in part groups (base, cover, support structure, hardware, tools)
2. Find a relatively level spot approximately 12' x 12' or, using pioneer tools, create a level surface of 12' x 12'
3. Place the base with the entrance notch to the non-threat side.
4. Insert the (4) 6 x 6 timbers through the (4) holes in the base resting on the ground. If the ground is soft, use a flat rock, piece of wood, metal or other item to ensure no post sinks when the upper cover is installed.
5. Nail the (4) metal clips to the top of the (4) 6 x 6 posts, keeping the clips square. Place the (2) headers in the clips and nail the (2) 4 x 4 x 96" (6 x 6 x 96" for the Sand Option) headers in place.
6. Place the (5) 4 x 4 x 72" stringers on top of the (2) headers. Nail the clips on the (5) 4 x 4 x 72" stringers for attaching to the (2) 4 x 4 x 96" (6 x 6 x 96" for the Sand Option) headers. Don't nail the clips to the (2) headers until after you have the cover in place. This will allow you to slide the stringers so that they will fit into the grooves on the bottom side of the cover.
 - a. Plumb the (4) 6 x 6 posts with the 4 x 4 stringers in place. Use small pieces of wood or other material to ensure the structure is held plumb and square.
 - b. Place the cover on the (5) 4 x 4 stringers, making sure the stringers are nested inside the provided pockets on the cover. Nail the clips attaching header to the stringers.
7. Pour sand or other material around all (4) of the 6 x 6 posts to prevent load shift. Pack the sand to ensure complete fill and no pockets.
 - a. Place the outside bellyband at midlevel to prevent bulge and tighten as necessary. The flat side goes inside facing the bunker. Note: for the sand option, the belly band will go directly over the sand dumps.
 - b. Place the inside bellyband at midlevel to prevent bulge and tighten as necessary. The flat side goes out.
8. Fill the base with water and check for any leaks. If a water leak occurs, unscrew the drain, apply a small amount of silicone and reinstall the drain. Continue to fill until completely full. Replace the fill cap. (Note: For Sand Bunker, remove the sand fill lids, fill with sand and then reattach lids.)
9. Fill the bunker cover in the same method at Step 8. (Note: For Sand Bunker, remove the sand fill lids, fill cover with sand and then reattach lids.)
10. Place all extra material and tools in the provided bag for use in disassembly.
11. Apply camo as directed by command.
12. Dig your grenade sump in accordance with standard field manuals.
13. Send the 463L pallet back to supply or use the pallet as a place to keep your equipment out of the mud. Care must be taken as you may put the bunker back on the pallet for repositioning.



Creative Building Products, 6409 Highview Dr. Fort Wayne, IN 46818
260.432.7158 or 800.860.2855

PROPRIETARY DATA

This document and the information disclosed herein are the property of Spirit of America Corporation. No part of this document is to be reproduced without the written permission of Spirit of America Corporation. No information disclosed herein is to be transmitted to another or used for any purpose other than that for which this document is provided.

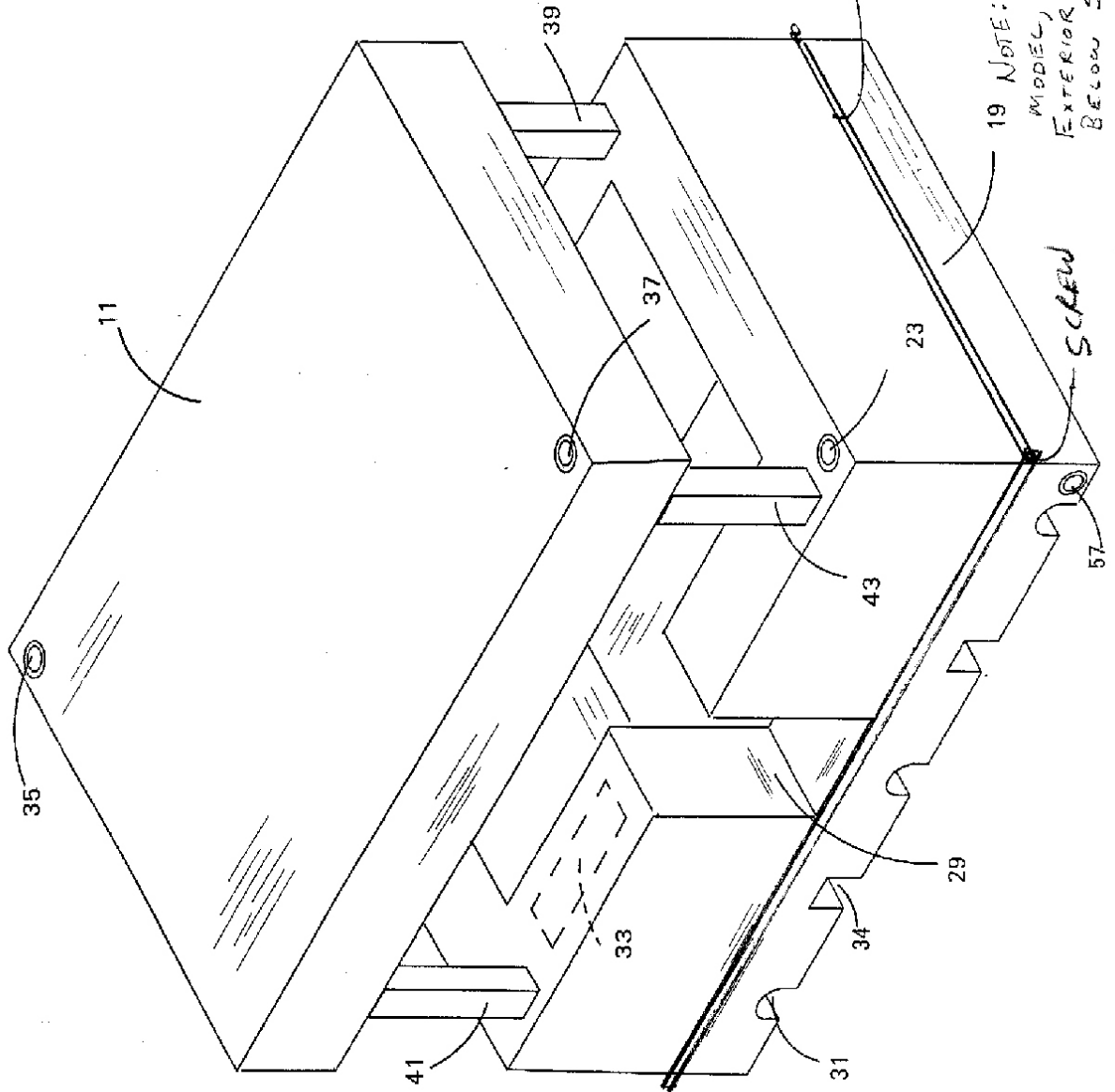


Fig. 9
NOTE: FOR SAND TRAP
MIDDLE LOCATE EXTERIOR BELLY BARS 4 PLACES BELOW SAND TRAP

PROPRIETARY DATA

This document and the information disclosed herein are the property of Spirit of America Corporation. No part of this document is to be reproduced without the written permission of Spirit of America Corporation. No information disclosed herein is to be transmitted to another or used for any purpose other than that for which this document is provided.

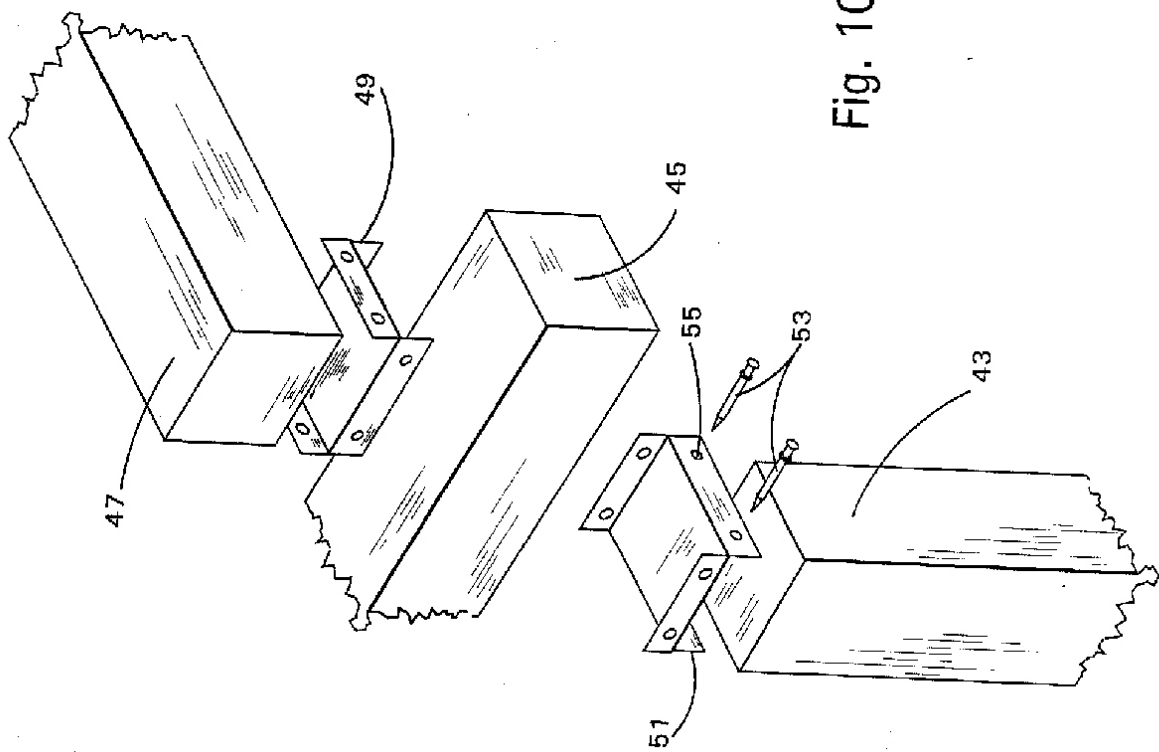


Fig. 10